



## SafeStore Auto Midi

Automated safe deposit locker system  
for medium to large self-service areas,  
without requiring a pre-built vault

## Automated technology for 24/7 accessibility



Reduce staff time as the next-generation automated technology retrieves the locker compartment without assistance from staff at any time and on any day of the week. Drive

utilisation rates, attract a broader customer base and increase locker rental fees thanks to 24/7 accessibility. Offer customers and employees user-friendly features like the interactive user interface and card reader, both of which are as easy to use as an automated teller machine (ATM). And enhance access for people with a disability with the new ergonomic touchscreen. The unit is certified by VdS as Grade VII-EX.

## Compact by design



Discover the plug-and-play design, which is delivered as a complete unit and offers all the benefits of a smaller model -quick installation, easy integration- but larger to feature even

more options. Benefit from a large installation that is compact, does not require a pre-built vault and can be easily relocated without physical alterations. Install into lobby wall or as free-standing unit, depending on your existing environment.

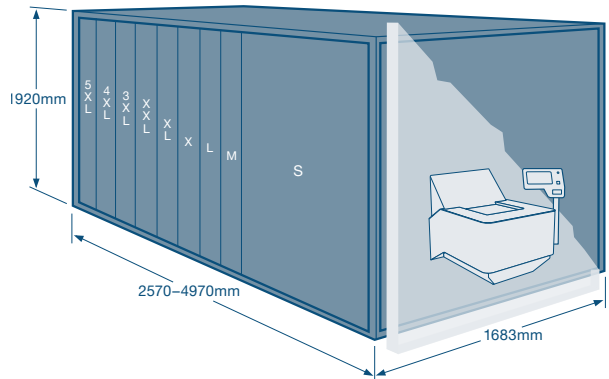
## Customisation according to your individual demands



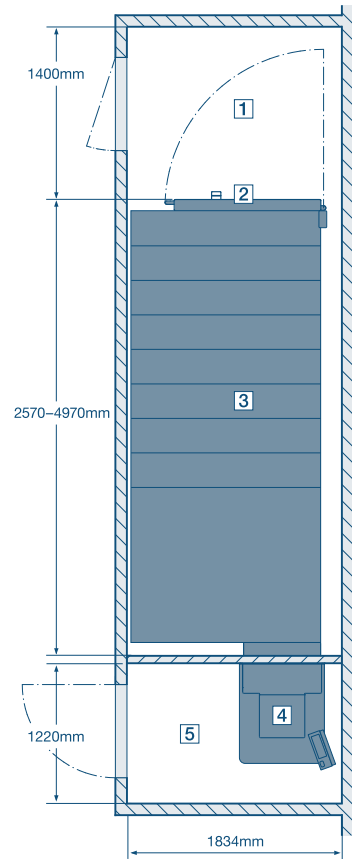
Choose from nine different sizes (Midi S to Midi 5XL) with five different deposit box heights ranging from 69 to 206 mm. The maintenance service area accessed from rear

needs to have at least an area of 2.6m<sup>2</sup>, so the door of the strong room can open. Customise the terminal's position (left or right), the colours and materials to better integrate into your self-service area. Avoid overloading locker compartments and forestall technical issues via the onboard weighing function. For a smaller unit, Gunnebo's SafeStore Auto Mini is available, while SafeStore Auto Maxi is available for larger installations.

## Sizes available for SafeStore Auto Midi



## Blueprint of a SafeStore Auto Midi installation



- 1. Maintenance service area
- 2. Strong room door
- 3. Strong room
- 4. Dispensing unit
- 5. Customer self-service area

## Choose from a combination of locker sizes and configurations

There are 9 alternative shelf formations:

	Midi S	Midi M	Midi L	Midi X	Midi XL	Midi XXL	Midi 3XL	Midi 4XL	Midi 5XL
Height (mm)	1920	1920	1920	1920	1920	1920	1920	1920	1920
Width (mm)	1683	1683	1683	1683	1683	1683	1683	1683	1683
Length (mm)	2570	2870	3170	3470	3770	4070	4370	4670	4970
Weight* ca (kg)	5600	5900	6700	7500	8200	9000	9500	10000	10500
Service area (m <sup>2</sup> )	6	7	8	8-9	10	10-11	11.5	12	12.5

Connections: 230V, 16A, ca 400 Watt. Security level: EURO VII EX with system certification. \* Empty.

## Locker Arrangement

Version	Size (H)	Midi S	Midi M	Midi L	Midi X	Midi XL	Midi XXL	Midi 3XL	Midi 4XL	Midi 5XL
1	69	104	142	180	218	256	294	332	370	408
	206	6	8	10	12	14	16	18	20	22
		Total 110	Total 150	Total 190	Total 230	Total 270	Total 310	Total 350	Total 390	Total 430
2	69	74	102	130	158	186	214	242	270	298
	103	12	16	20	24	28	32	36	40	44
	137	6	8	10	12	14	16	18	20	22
	206	6	8	10	12	14	16	18	20	22
		Total 98	Total 134	Total 170	Total 206	Total 242	Total 278	Total 314	Total 350	Total 386
3	69	38	54	70	86	102	118	134	150	166
	103	18	24	30	36	42	48	54	60	66
	137	12	16	20	24	28	32	36	40	44
	171	6	8	10	12	14	16	18	20	22
	206	6	8	10	12	14	16	18	20	22
		Total 80	Total 110	Total 140	Total 170	Total 200	Total 230	Total 260	Total 290	Total 320
4	69	26	38	50	62	74	86	98	110	122
	103	24	32	40	48	56	64	72	80	88
	137	6	8	10	12	14	16	18	20	22
	171	12	16	20	24	28	32	36	40	44
	206	6	8	10	12	14	16	18	20	22
		Total 74	Total 102	Total 130	Total 158	Total 186	Total 214	Total 242	Total 270	Total 298

# SafeStore Auto Midi



## Your choice for a compact self-service system

Provide your customers with 24/7 access to their valuables via a plug-and-play automated safe deposit locker system that is ideal for medium- to large-sized locations: **SafeStore Auto Midi** is the compact model from the **SafeStore Auto range**, offering the next-generation automated technology and advanced customer identification features you expect from this revolutionary system. Ideal for banking, hotel and office environments, it meets your need for a large installation that delivers all the advantage of a compact, mobile solution.

[Differentiate your brand with SafeStore Auto.](#)



Want to see **SafeStore Auto** in full action?  
Scan this QR code with your smartphone. Or search for "SafeStore Auto" on YouTube.



Take advantage of our knowledge:  
[www.GunneboSafeStorage.com](http://www.GunneboSafeStorage.com)

**GUNNEBO**<sup>®</sup>  
Safe Storage