



SafeStore Auto Mini

Automated safe deposit locker system
for a quick installation in small and narrow
or temporary self-service areas

Automated technology for 24/7 accessibility



Reduce staff time as the next-generation automated technology retrieves the locker compartment without assistance from staff at any time and on any day of the week. Drive

utilisation rates, attract a broader customer base and increase locker rental fees thanks to 24/7 accessibility. Offer customers and employees user-friendly features like the interactive user interface and card reader, both of which are as easy to use as an automated teller machine (ATM). And enhance access for people with a disability with the new ergonomic touchscreen.

Mobile by design



Discover the plug-and-play design delivered as a complete unit for quick installation in small and narrow self-service areas. Need to relocate? Simply move and install: your

system is up and running in no time, thereby optimising your investment. Integrate easily into any existing environment without the need for physical alterations.

Customisation at your service

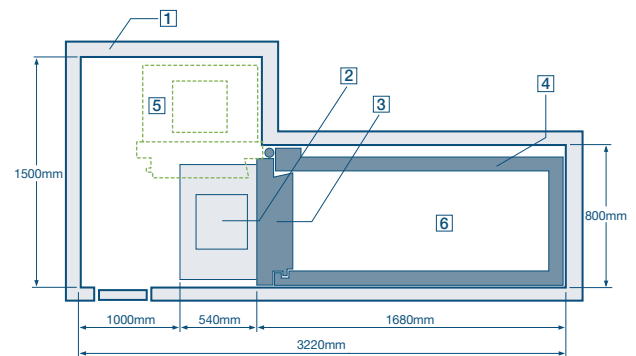
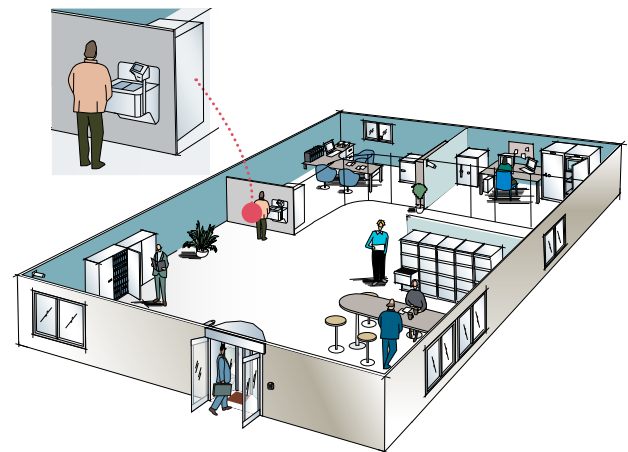
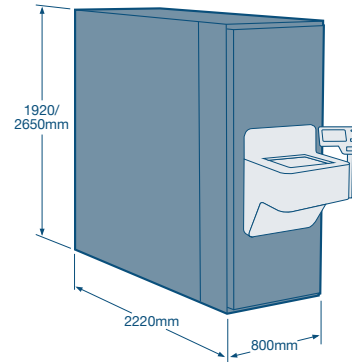


Choose from two different sizes (1920mm or 2650mm), three different locker heights, and between 51 and 101 locker compartments for a variety of possible arrangements.

Customise the terminal's colours and materials to better integrate into your self-service area. For even larger units, Gunnebo's SafeStore Auto Midi and SafeStore Auto Maxi are also available.

Service maintenance access from the front

The SafeStore Auto Mini installation has a total depth of 2220 mm, including the depth of the output unit.



- 1. Global surface 3.83m²
- 2. Self service terminal
- 3. Door
- 4. Panels
- 5. Maintenance service area 2.5m²
- 6. Safe deposit lockers area 1.33m²

Choose from a combination of locker sizes and configurations

There are 6 alternative shelf formations:

Type 1

HxWxD: 1920x800x2220mm. Weight: 3100kg.

Version	Size (H)	No. Compartments
1	46mm	69
		Total 69
2	46mm	34
	91mm	17
		Total 51
3	46mm	40
	91mm	6
	137mm	5
		Total 51

Type 2

HxWxD: 2650x800x2220mm. Weight: 4200kg.

Version	Size (H)	No. Compartments
4	46mm	101
		Total 101
5	46mm	70
	91mm	15
		Total 85
6	46mm	50
	91mm	14
	137mm	7
		Total 71

Inner dimensions of lockers

Compartment	H	W	D
46	34	239	370
91	80	239	370
137	125	239	370

- Maximum load capacity: 25kg per cassette.
- The cassettes are suitable for storing folders > A4. Lockers higher than 80mm can contain lever arch files.



Your choice for a compact self-service system

Provide your customers with 24/7 access to their valuables via a plug-and-play automated safe deposit locker system that is ideal for small- and medium-sized, or temporary locations: **SafeStore Auto Mini** is the **portable model** from the SafeStore Auto range, offering the next-generation automated security and advanced customer identification features you expect from this revolutionary system. Ideal for banking, hotel and office environments, it meets your need for a highly mobile solution that can easily integrate into any existing self-service area for greater return on investment.

Differentiate your brand with SafeStore Auto.

SafeStore Auto Mini

Design and production: Gunnebo. Photos Credits: Gunnebo. The data given in this material may be subject to change without further notice. The Gunnebo logos and "Gunnebo - For a safer world" are registered trademarks of Gunnebo AB.



Take advantage of our knowledge:
www.GunneboSafeStorage.com

